

Customer display

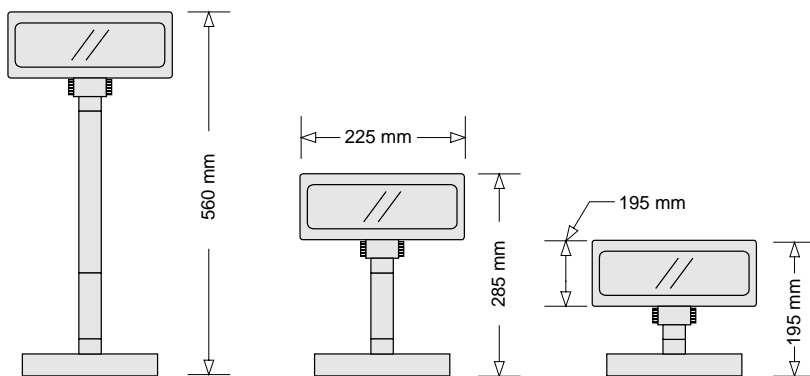
WD-304

Liquid crystal customer display features:

- Data display on 30 columns X 4 lines (alphanumeric).
- Or display on 15 columns X 4 lines (Chinese).
- And can be display double high is 2 lines
- Blue-white color and no filter are easy to eyes.
- Display panel is adjustable to provide the best view angle.
- Provide 2 pole for best position installation.
- Provides an interface based on RS-232C
- And RS232C baud rate fixed 9600 bps.
- The other model Built-in Chinese character(GB5) ,Korea character, Japan character or Thai character(by option)



Overall Dimensions:



General Specifications:

Power supply	DC 9 ~ 30 V	Character size	8.47 x 4.24mm (16x8 dot)	
LCD type	STN Blue mode		8.47 x 8.47mm (16x16dot)	
Backlight mode	CCFL backlight		16.9 x 8.47mm (32x16 dot)	
Brightness	100 cd/m ²	Power consum.	3 ~ 6 W	
Display color	Blue and White	MTBF (power on)	15000 hours	
Character size	9.0mm X 5.25mm	Viewing angle	0 ~ 45 degrees	
Number of character	30 columns x 4 lines alphanumeric	Weight	0.90 Kg	
	15 columns x 4 lines chinese character (or double high is 2 lines)		Environmental	Temperature
Character font	8 x 16 Dot matrix by alphanumeric	Operating	5 ~ 45	30% ~ 85%
	16 x 16 dotmatrix by chinese character	Storage	-10 ~ 55	30% ~ 85%



WINPOS SYSTEM CO., LTD.

4F, NO5, Alley 6, Lane 45, Pao-Hsien, Tien City, Taipei Hsien, Taiwan, R.O.C.

Tel: 886-2-86657955

Fax: 886-2-86659446

<http://www.winpos.com.tw>

E-mail:sales@winpos.com.tw