

POS



POS-6510

15" Fanless and High Performance POS Terminal

Features and Benefits:

- Intel® Atom D525 platform
- 15" LCD display with touch screen
- Flexible design for versatile applications
- Fanless POS terminal
- Optional i-Button for user identification & security control
- Optional 802.11 b/g WLAN communication capability
- Easy to be transformed to panel PC as long as removing the stand



Protech Systems Co., Ltd.

No. 24, Lane 365, Yang Goang Street, Nei Hu District Taipei 114, Taiwan
 TEL: +886-2-8751-1111 FAX: +886-2-8751-1199
 E-mail: sales@protech.com.tw
<http://www.protech.com.tw>

Protech Technologies Inc.

950 Fee Ana St, Suite B Placentia, CA 92870
 TEL: +1-714- 996-7200 FAX: +1-714- 996-7300
 Sales: sales@protech-usa.net
<http://www.protech-usa.net>

Protech Japan Co., Ltd.

OSK Bldg, 6F, 6-25-14, Minami-ohi Shinagawa-ku, Tokyo, 140-0013
 TEL: +81-3-5753-8411 FAX: +81-3-3763-9282
 E-mail: sam@protech-j.com
<http://www.protech-j.com>

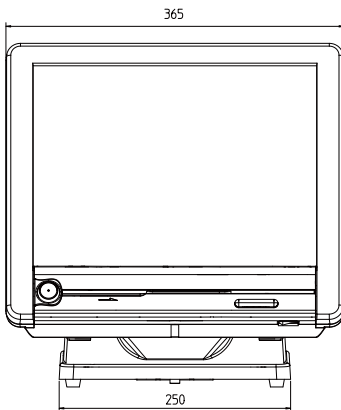


ISO CERTIFIED
9001 14001

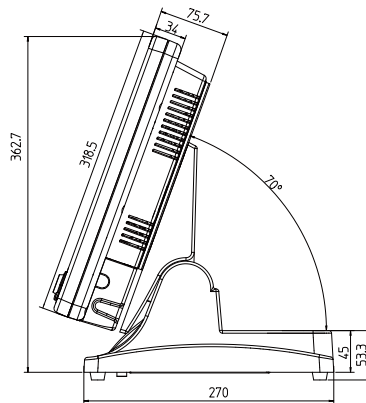
POS-6510

15" Fanless and High Performance POS Terminal

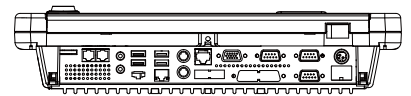
Front View



Side View



I/O View



Unit: mm

Specification

System	
CPU Support	Intel® Atom D525 CPU
Memory	2 x DDR3 SO-DIMM Slot (up to 4GB)
Core Logic	Intel® ICH8M
Network	1 x Giga fast Ethernet
Audio	1 x line-out
Power Supply	120 Watt Power Adaptor
System Weight	11 kg (Fanless)
Dimension (WxHxD)	365 x 363 x 303mm
O.S. Compliant	WIN7 /WIN7E /Win XP /XPE, WEPOS, POSReady 2009

Storage

HDD	1 x 2.5" SATA HDD (standard 250GB)
SSD	over or equal 8GB SSD module
CF	Bootable Compact Flash slot for CF type I/II storages

I/O Ports

USB	4 x USB 2.0 ports / 1 x USB 2.0 on side bezel
Serial Ports	2 x DB-9 (COM 1/2/3), 1 x RJ45 (COM 1), 1 x wafer (COM 4, for VFD), +5/12V Selectable (COM 1~4)
Parallel Port	1 x Parallel port
PS/2	1 x PS/2 ports (default at keyboard)
LAN	1 x RJ-45
VGA	1 x DB-15 VGA Interface
Audio	1 x 2W speaker
Cash Drawer	1 x RJ11 (+12V or +24V selectable)(default+12V)
Option	N/A

Display

LCD	15" TFT LCD
Max. Resolution	1024 x 768
Brightness	250 cd/m ²
Touch Screen	5-wire Analog resistive
Display Tilt Angle	40 ~ 80 degree

Environment

EMC & Safety	CE / FCC / cUL / CB
Operating Temp.	0° ~ 35°C
Storage Temp.	-20° ~ 60°C
Humidity	20% ~ 90%

Ordering Information

POS-6510	15" POS Terminal with Intel® Atom™ Pineview D525 CPU, 1GB DDR3, SO-DIMM, 250GB HDD
VFD Customer Display	Backing or Pole type, Vacuum Fluorescent Display, 20 columns and 2 lines, each column is 5 x 7 dots
i-Button	Build-in PPC type, Read only, output through PS/2 KB interface or with AP decode through RS232 interface
MSR	Build-in PPC type, JIS-I or II, ISO Track1+2+3 (PS/2 KB Interface)
Color	Black or White
OS	WIN7 /WIN7E /Win XP /XPE, WEPOS, POSReady 2009
Wireless LAN	Mini PCIe Wireless LAN Module 802.11 b/g
Fingerprint / Vertical MSR	Vertical module, Fingerprint (USB interface) + vertical MSRModule (PS/2 interface)
MSR /i-Button / RFID	Vertical module, MSR, Read only, JIS-I or II, ISO Track1+2+3; I-button Read only; RFID, Read / Write, ISO 14443A 13.56MHz (USB Interface)

All of trademarks and brand names are the property of their owners. Trademark "Protech" is the property of Protech Systems Co., Ltd. All information contained in this document is subject to change without any prior notice. This catalog is copyrighted in Nov. 2010.