

# POS



## PS6509

### 15" Fanless POS Terminal with Intel® ATOM Platform

#### Features and Benefits:

- Intel® ATOM High Performance platform
- 15" LCD display with touch screen
- Flexible design for versatile applications
- Fanless POS terminal
- Optional i-Button for user identification & security control
- 802.11 b/g WLAN communication capability
- Easy to transferred to panel PC as long as remove stand



#### Protech Systems Co., Ltd.

No. 24, Lane 365, Yang Goang Street, Nei Hu District Taipei 114, Taiwan  
 TEL: +886-2-8751-1111 FAX: +886-2-8751-1199  
 E-mail: sales@protech.com.tw  
<http://www.protech.com.tw>

#### Protech Technologies Inc.

950 Fee Ana St, Suite B Placentia, CA 92870  
 TEL: +1-714- 996-7200 FAX: +1-714- 996-7300  
 Sales: sales@protech-usa.net  
<http://www.protech-usa.net>

#### Protech Japan Co., Ltd.

OSK Bldg, 6F, 6-25-14, Minami-ohi Shinagawa-ku, Tokyo, 140-0013  
 TEL: +81-3-5753-8411 FAX: +81-3-3763-9282  
 E-mail: sam@protech-j.com  
<http://www.protech-j.com>

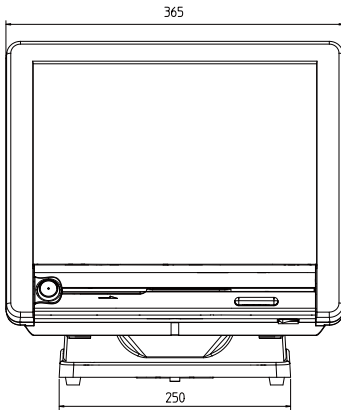


ISO CERTIFIED  
**9001 14001**

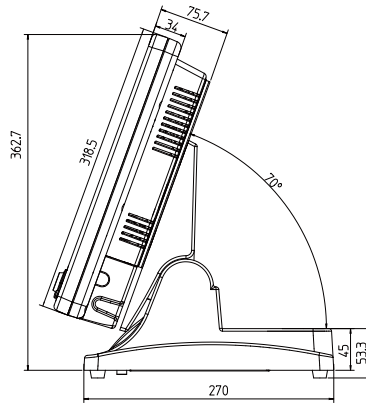
# PS6509

## 15" Fanless POS Terminal with Intel® ATOM Platform

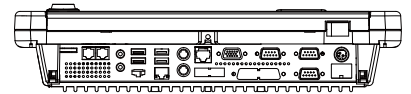
### Front View



### Side View



### I/O View



Unit: mm

### Specification

System	
<b>CPU Support</b>	Intel® ATOM N270 1.6GHz
<b>Memory</b>	1 x DDRII SO-DIMM Slot, 512M DDRII SDRAM (Up to 1G)
<b>Core Logic</b>	Intel® 945GSE & ICH7M support FSB 533, DDRII 533
<b>Network</b>	Giga Fast Ethernet (optional 802.11 b/g WLAN Mini-PCI module)
<b>Power Supply</b>	120W Power adaptor
<b>System Weight</b>	11 KG
<b>Dimension (WxHxD)</b>	365 x 363 x 303 mm (14.37" x 14.29" x 11.92")
<b>O.S. Compliant</b>	Windows XP / XPE, Linux, WEPOS, POSReady 2009

### Storage

<b>HDD</b>	1 x 2.5" SATA HDD (standard 160GB)
<b>CF</b>	1 x Compact Flash slot for CF type I/II storage (on board with IDE interface)

### I/O Ports

<b>USB</b>	5 x USB 2.0 ports (4 on I/O port, 1 on the side of the back cover)
<b>Serial Ports</b>	3 x DB-9 (COM 1/2/3), 1 x RJ45 (COM 4), +5/12V Selectable
<b>PS/2</b>	2 x PS/2 port (Keyboard / Mouse)
<b>LAN</b>	Giga Fast Ethernet
<b>Audio</b>	Line-out / Mic-in
<b>VGA</b>	1 x DB-15 VGA Interface
<b>Cash Drawer</b>	2 x RJ11 port, 12V/24V selectable

### Display

<b>LCD</b>	15" TFT LCD / 24bit, 250 nits
<b>Max. Resolution</b>	1024 x 768
<b>Brightness</b>	250 cd/m <sup>2</sup>
<b>Touch Screen</b>	Resistive or Capacitive
<b>Viewing Angle</b>	0 ~ 65 degree

### Environment

<b>EMC &amp; Safety</b>	CE, FCC, UL, CB
<b>Operating Temp.</b>	0° ~ 35°C
<b>Storage Temp.</b>	-20° ~ 60°C
<b>Humidity</b>	20% ~ 90%

### Ordering Information

<b>PS6509-POS</b>	15" POS Fanless terminal with ATOM N270 1.6 GHz CPU, 512MB DDRII SO-DIMM, 160GB HDD
<b>VFD Customer Display / VFD Pole Display</b>	Fluorescent Displays, 20 columns and 2 lines, each column is 5 x 7 dots
<b>i-Button</b>	Read only, output through PS/2 KB interface
<b>MSR</b>	JIS-I or II, ISO Track1+2+3
<b>CF Adaptor</b>	Bootable Compact Flash slot for CF type I/II storages
<b>Color</b>	Black, Beige
<b>OS</b>	Windows XP / XPE, Linux, WEPOS, POSReady 2009
<b>2<sup>nd</sup> Display</b>	12.1" LCD Display, 800 x 600
<b>Fingerprint / Vertical MSR</b>	Fingerprint (USB interface) + vertical MSR Module (PS/2 interface)
<b>Smart card / Vertical MSR</b>	Smart card reader + vertical MSR, USB interface
<b>WLAN module</b>	802.11 b/g Wireless LAN module

All of trademarks and brand names are the property of their owners. Trademark "Protech" is the property of Protech Systems Co., Ltd. All information contained in this document is subject to change without any prior notice. This catalog is copyrighted in Sep. 2009.